

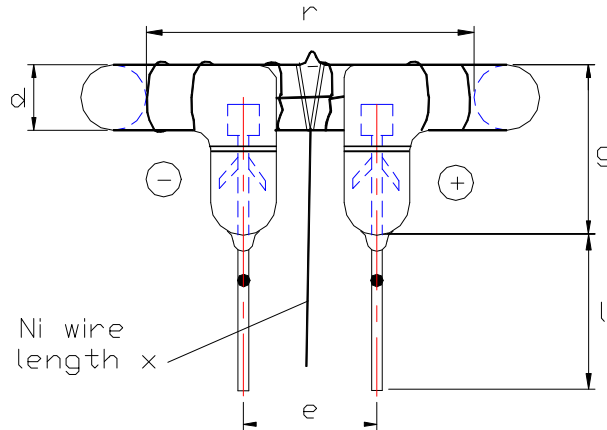
DEVICE NAME : DR 9902-1 (H)

Date : 04/27/2012

ISSUED BY : De Pan

Rev Date : Index #:

Mechanical Data :



Dimension(mm)

e	26 ± 1.5	l	25 ± 2	d	10 ± 1 dia
r	57 ± 2 dia	g	28 ± 2	x	110 ± 10

Polarity :

Without Colour Corrective Coating :

Remarks: 1. Envelope material : Q2
2. RoHS compliant

Operating Data :

Max. Power Pmax/W		Trigger coil TR	ZS 1052 (H)
Nom. Power Pnom / W		Trigger capacitor Cz/uF	0.22
Max. flashenergy Emax/Ws	1500	Min. trigger voltage Uz min/V	200
Nom. flashenergy Enom/Ws		Trigger contact S	SCR
Max. anode voltage Uamax/V	670	Flash frequency/Hz	
Nom. anode voltage Uanom/V	550	Life/Number of flashes/N	15000
Min. anode voltage Uamin/V	350	Repetition rate trep/ s	10
Nom. flash capacitor CB/ uF		Sec trigger voltage Uz sec / KV	- 8.0
Light reduction after life/ %			

Remarks :